



Port & Company® Colorblock Cinch Pack BG80



Colorblocking and an asymmetrical zippered front pocket give this cinch pack distinctive character.

- 210 denier polyester
- Large zippered front pocket
- Black drawcord closure lets allows this bag to double as a backpack
- Dimensions: 17.75”h x 14.5”w

Note: Bags not intended for use by children 12 and under. Includes a California Prop 65 and social responsibility [hangtag](#).

COLOR



Black/ Black
PMS 426 C



Gold/ Black
PMS 130 C



Hunter/ Black
PMS 446 C



Maroon/ Black
PMS 7645 C



Navy/ Black
PMS 7546 C



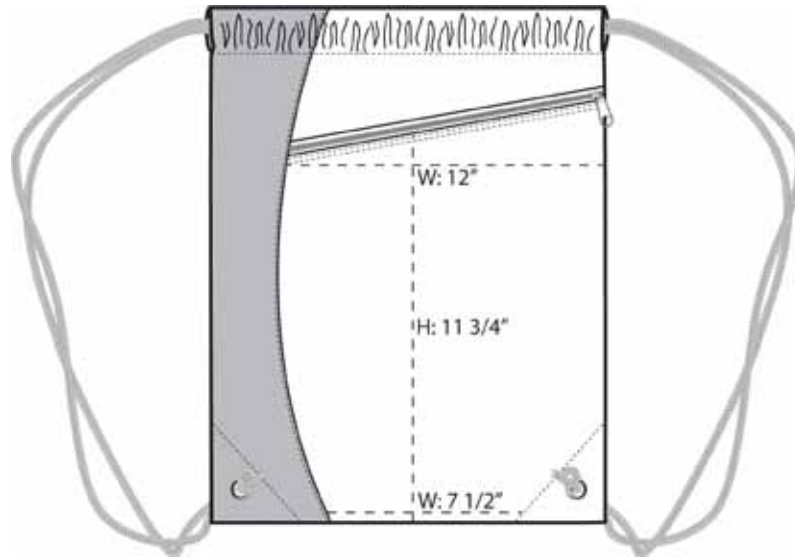
Orange/ Black
PMS 7578 C



Red/ Black
PMS 187 C



Royal/ Black
PMS 7687 C



Front View

Note: Best graphic placement should be per the embellisher/screen printer recommendations.